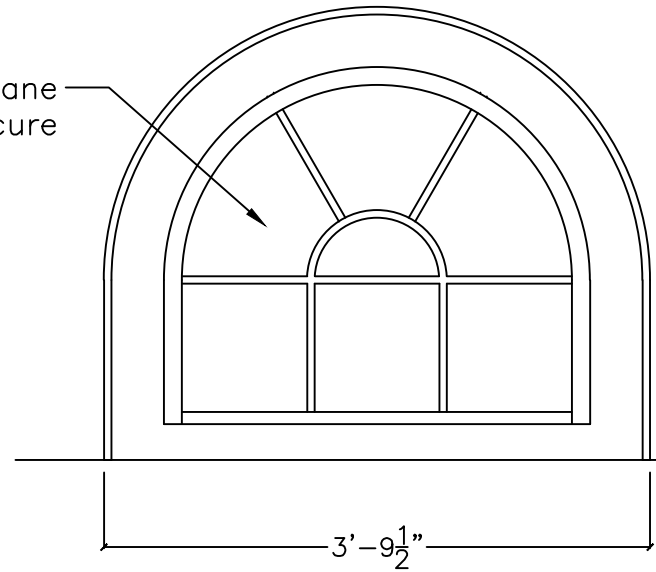
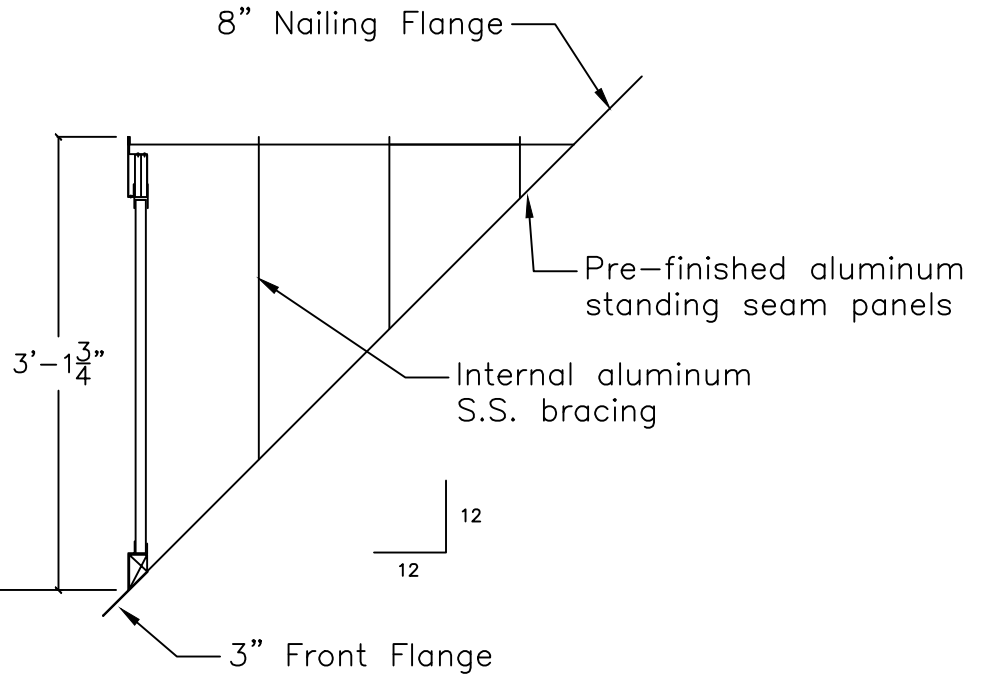


Double Pane Window—Obscure



8" Nailing Flange



Pre-finished aluminum standing seam panels

Internal aluminum S.S. bracing

12

12

3" Front Flange

.040 Kynar Aluminum
Color _____

NOTICE:
This drawing is the property of Decorr
and is intended for the sole use of our
client. The design concepts and technical
methods to accomplish these concepts are
the intellectual property of Decorr.
These drawings may not be reproduced or
the information thereon divulged without the
written consent of Decorr

Decorr Architectural Products, Inc.
229 West 16, Suite 2, Brea, CA 92607
www.decorsp.com

(419)537-9493
FAX: (419)537-9493

D-102		
Shop Drawings		
DATE 8/22/2016	DWG. NO. 01	
SCALE: NOTED	SHEET	